

Nokia Customer Care

Service Manual

RM-342 (Nokia N78; L3&4)

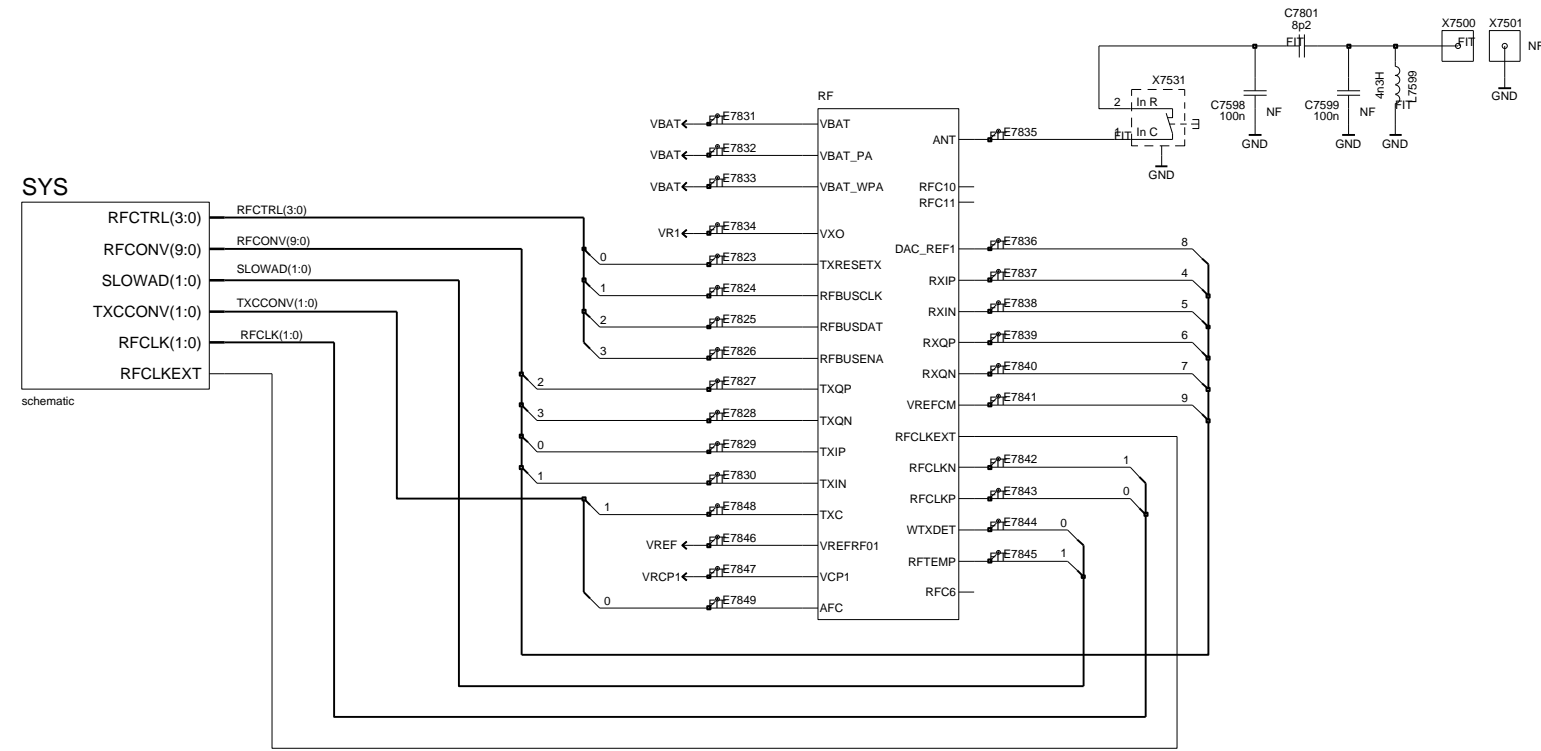
Schematics

Part No: (Issue 1)

COMPANY CONFIDENTIAL



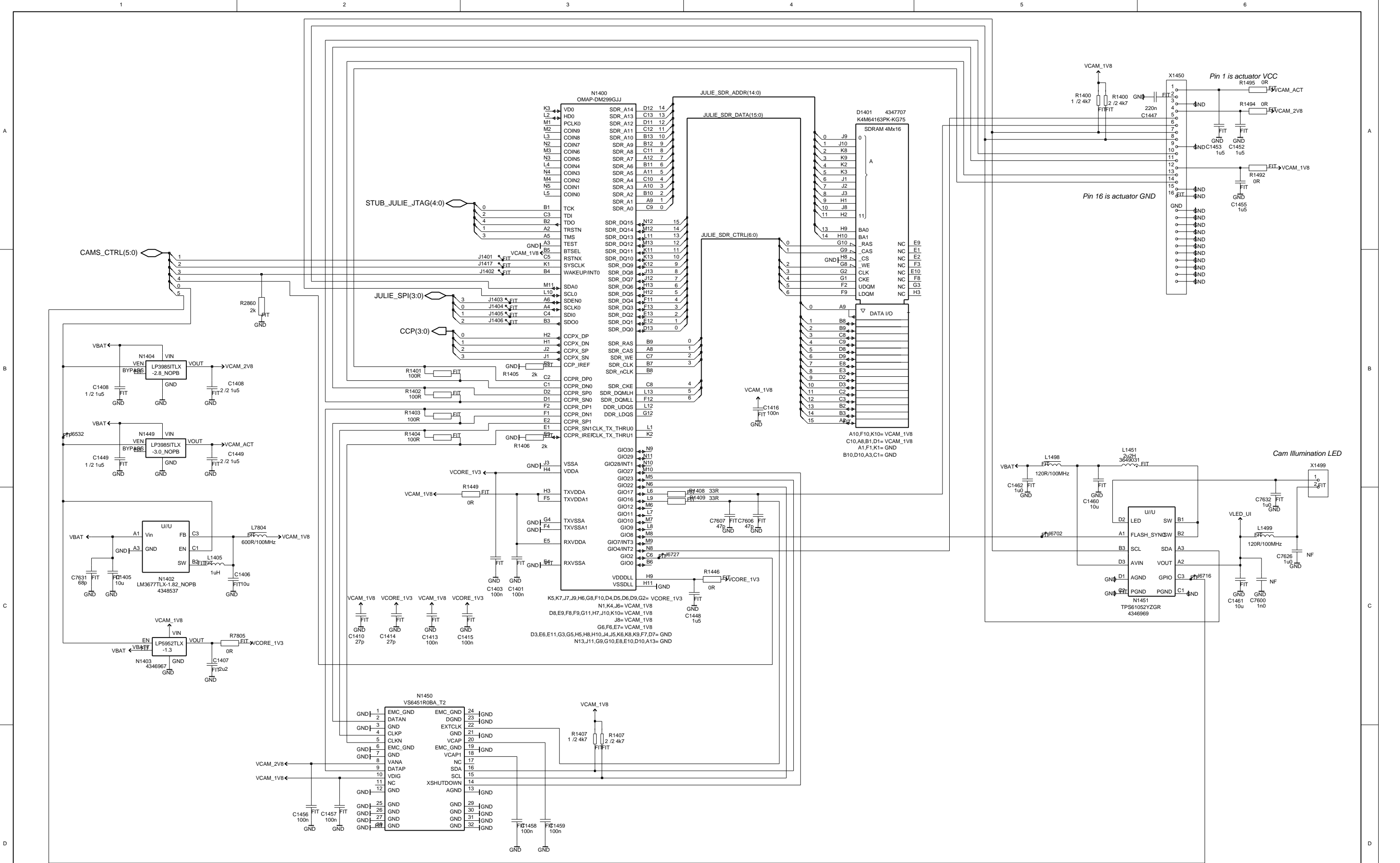
N78 Engine



Copyright (C) Nokia Corporation. All rights reserved.
 THIS DRAWING IS PROTECTED BY COPYRIGHT AS AN UNPUBLISHED WORK.
 UNAUTHORIZED REPRODUCTION OF THIS DRAWING IS NOT PERMITTED.
 THIS DRAWING CONTAINS PROPRIETARY AND CONFIDENTIAL INFORMATION.
 This document is property of Nokia Corporation



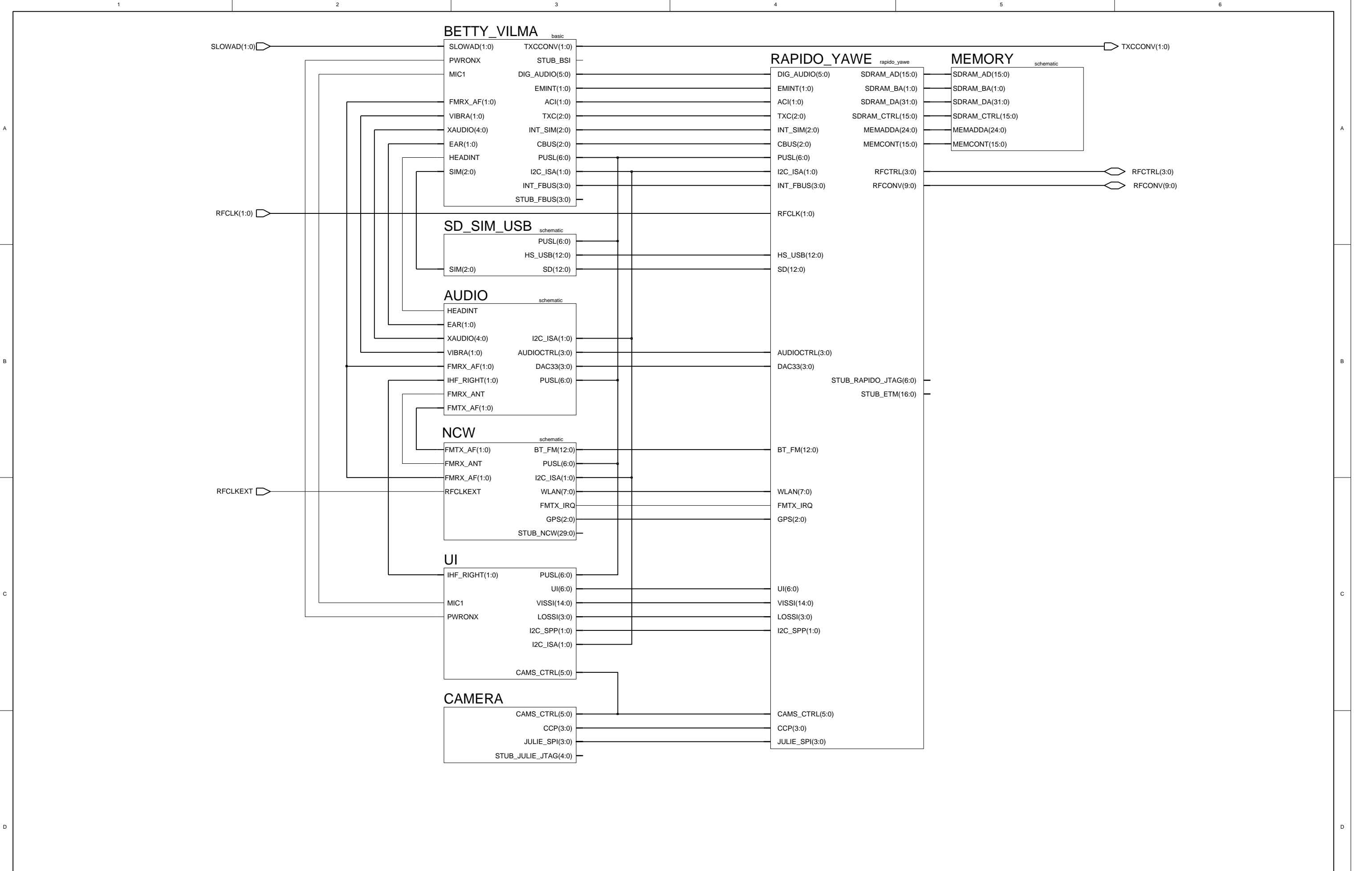
Name	Top Level BB & RF	Appr	dd-mmm-yy
Assoc		Des.	18-Nov-03
File		Dr.	17-Apr-08
Proj		Sheet	xx of yy
		Print	Yes
		v.	0.0
		Edit	3



Copyright (C) Nokia Corporation. All rights reserved.
 THIS DRAWING IS PROTECTED BY COPYRIGHT AS AN UNPUBLISHED WORK.
 UNAUTHORIZED REPRODUCTION OF THIS DRAWING IS NOT PERMITTED.
 THIS DRAWING CONTAINS PROPRIETARY AND CONFIDENTIAL INFORMATION.
 This document is property of Nokia Corporation



Name	CAMERAS	Appr	dd-mmm-yy
Assoc		Des.	15-Jul-05
File		Dr.	17-Apr-08
Proj		Sheet	13 of 20
		Print	Yes
		v.	1 (20)
		Edt	5



Copyright (C) Nokia Corporation. All rights reserved.
 THIS DRAWING IS PROTECTED BY COPYRIGHT AS AN UNPUBLISHED WORK.
 UNAUTHORIZED REPRODUCTION OF THIS DRAWING IS NOT PERMITTED.
 THIS DRAWING CONTAINS PROPRIETARY AND CONFIDENTIAL INFORMATION.
 This document is property of Nokia Corporation



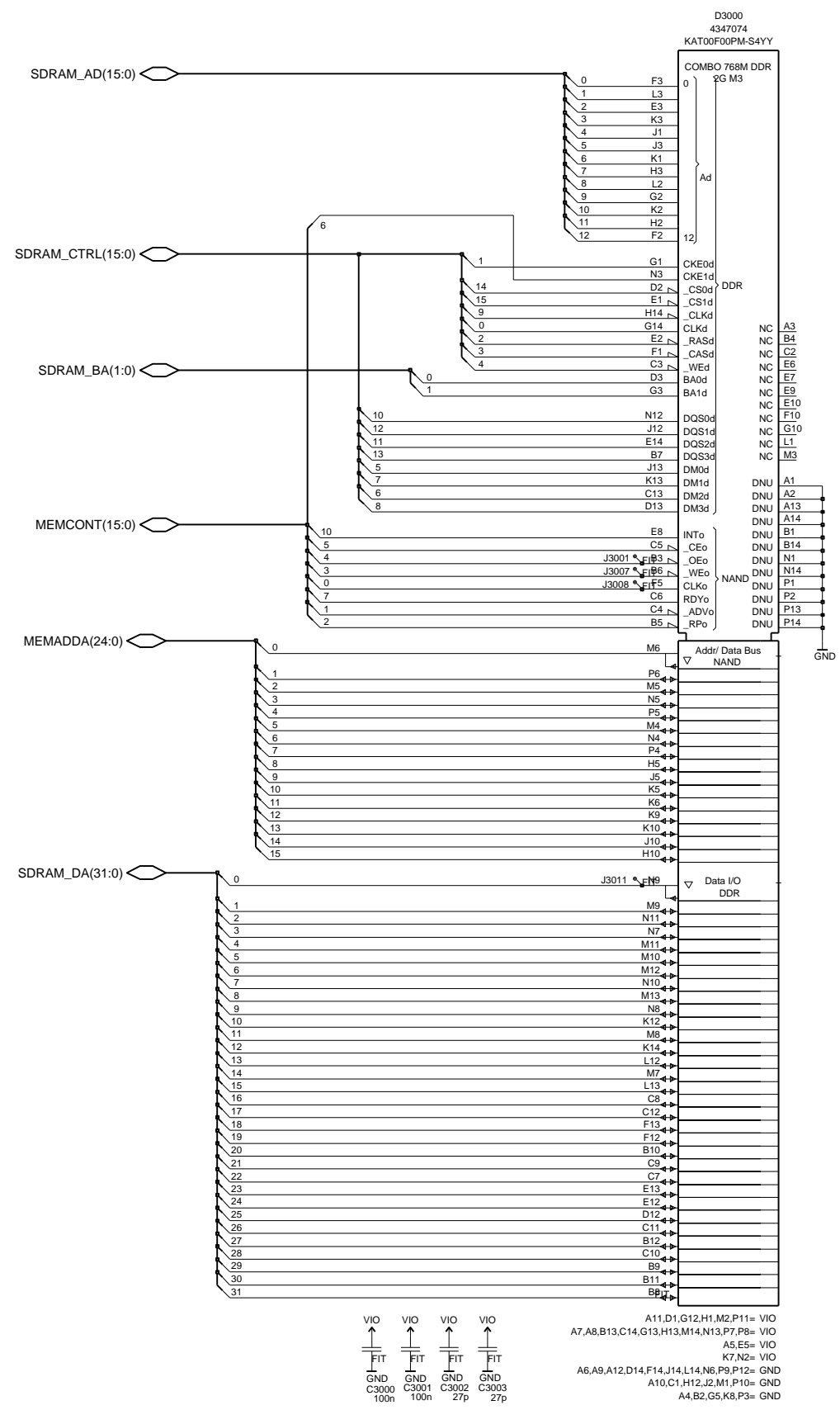
Name	SYS	Appr	dd-mmm-yy
Assoc		Des.	24-Sep-04
File		Dr.	17-Apr-08
Proj		Sheet	xx of yy
		Print	Yes
		v.	02
		Edit	3

A

B

C

D



A11,D1,G12,H1,M2,P11= VIO
 A7,A8,B13,C14,G13,H13,M14,N13,P7,P8= VIO
 A5,E5= VIO
 K7,N2= VIO
 A6,A9,A12,D14,F14,J14,L14,M6,P9,P12= GND
 A10,C1,H12,J2,M1,P10= GND
 A4,B2,G5,K8,P3= GND

VIO ↑
 FIT —
 GND C3000 100n
 VIO ↑
 FIT —
 GND C3001 100n
 VIO ↑
 FIT —
 GND C3002 27p
 VIO ↑
 FIT —
 GND C3003 27p

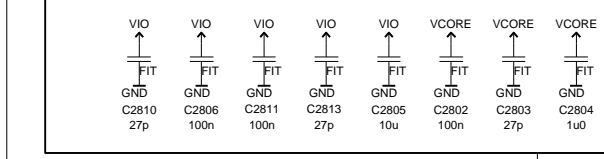
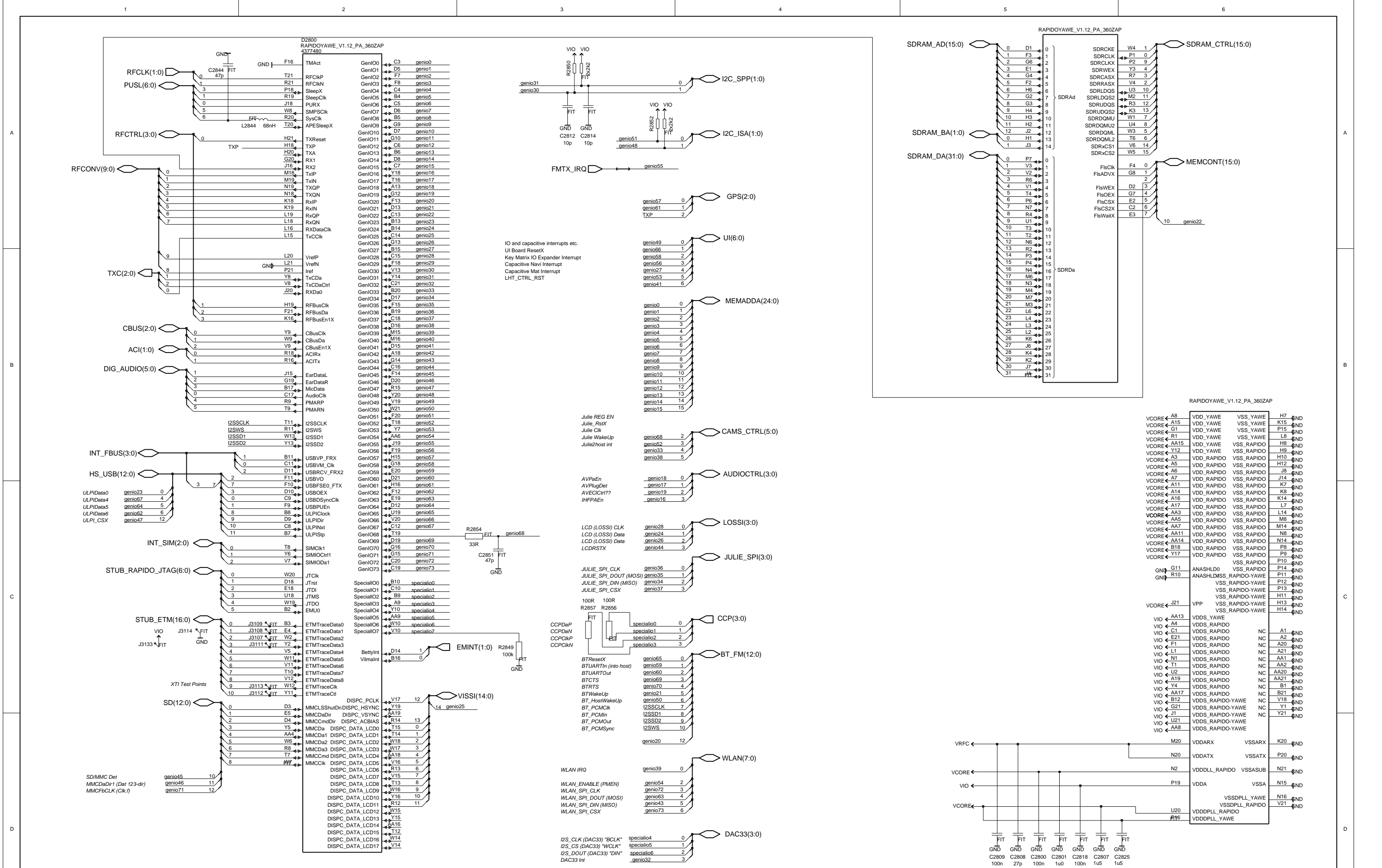
Copyright (C) Nokia Corporation. All rights reserved. THIS DRAWING IS PROTECTED BY COPYRIGHT AS AN UNPUBLISHED WORK. UNAUTHORIZED REPRODUCTION OF THIS DRAWING IS NOT PERMITTED. THIS DRAWING CONTAINS PROPRIETARY AND CONFIDENTIAL INFORMATION. This document is property of Nokia Corporation		NOKIA		Name MEMORY		Appr 10-Aug-00	
				Assoc		Des. 22-Dec-04	
				Tech		Dr. 03-Dec-07	
				File		Sheet xx of yy 1 (01)	
				Proj		Print Yes v. 02 Edit 114	

A

B

C

D

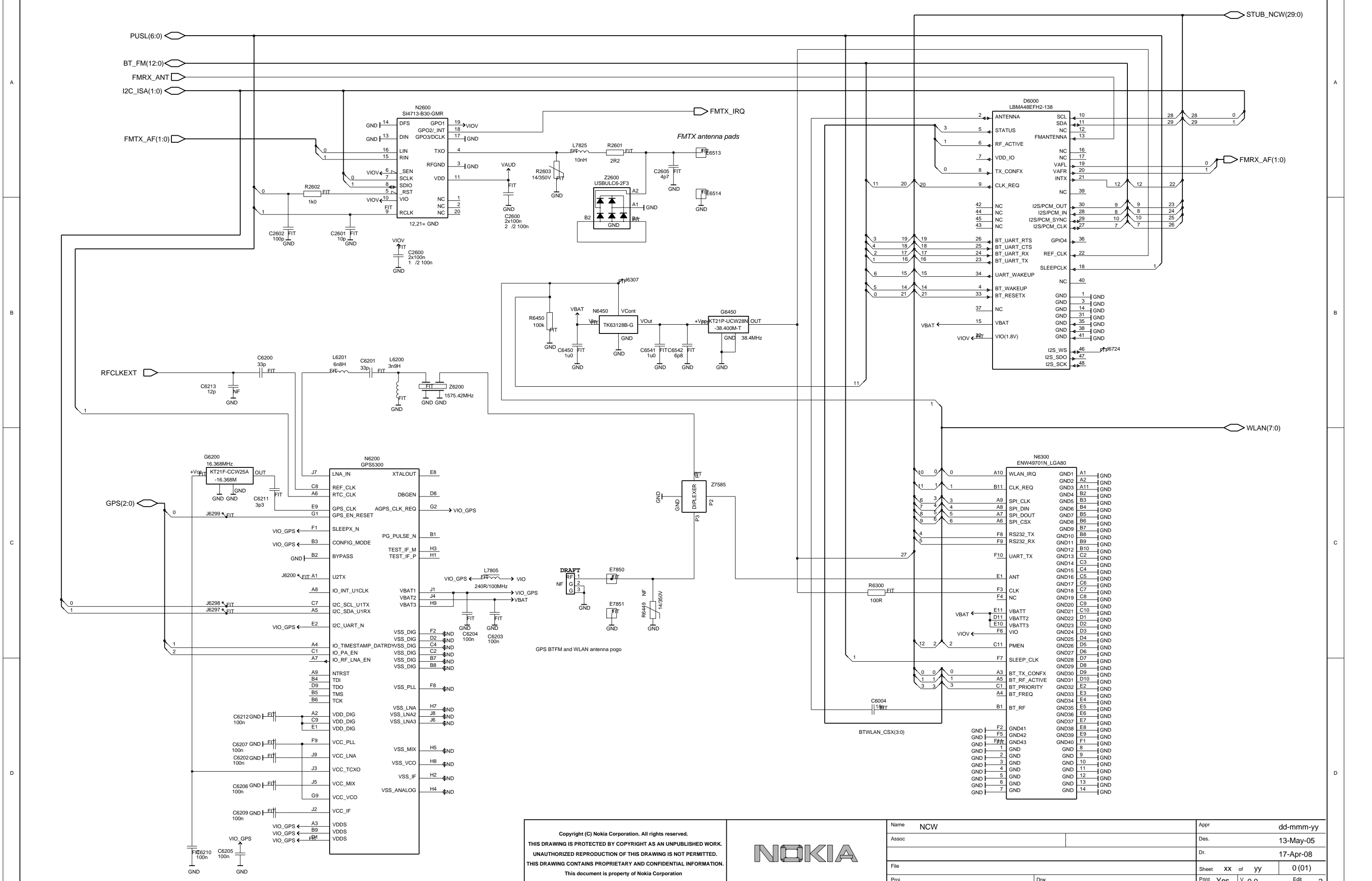


Copyright (C) Nokia Corporation. All rights reserved.
 THIS DRAWING IS PROTECTED BY COPYRIGHT AS AN UNPUBLISHED WORK.
 UNAUTHORIZED REPRODUCTION OF THIS DRAWING IS NOT PERMITTED.
 THIS DRAWING CONTAINS PROPRIETARY AND CONFIDENTIAL INFORMATION.
 This document is property of Nokia Corporation



Name	RAPIDO_YAWE		Appr	dd-mmm-yy
Assoc			Des.	26-Apr-05
File			Dr.	03-Dec-07
Proj			Sheet	xx of yy
			Print	Yes
			Drw.	V. 0.0
			Edt	172

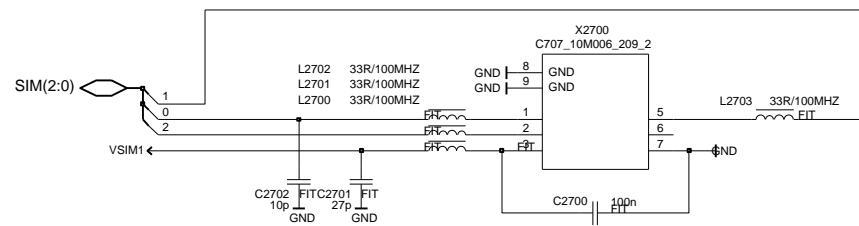
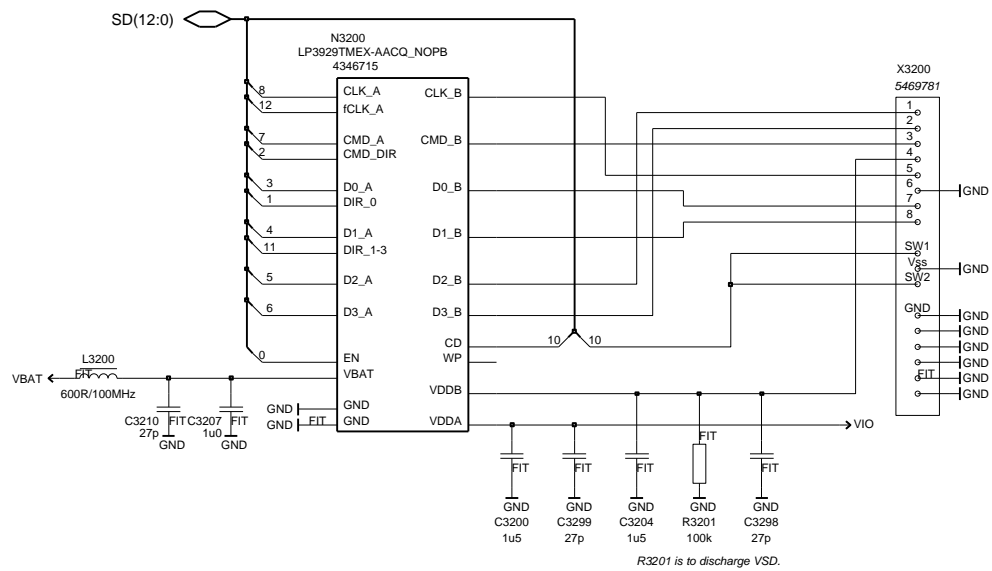
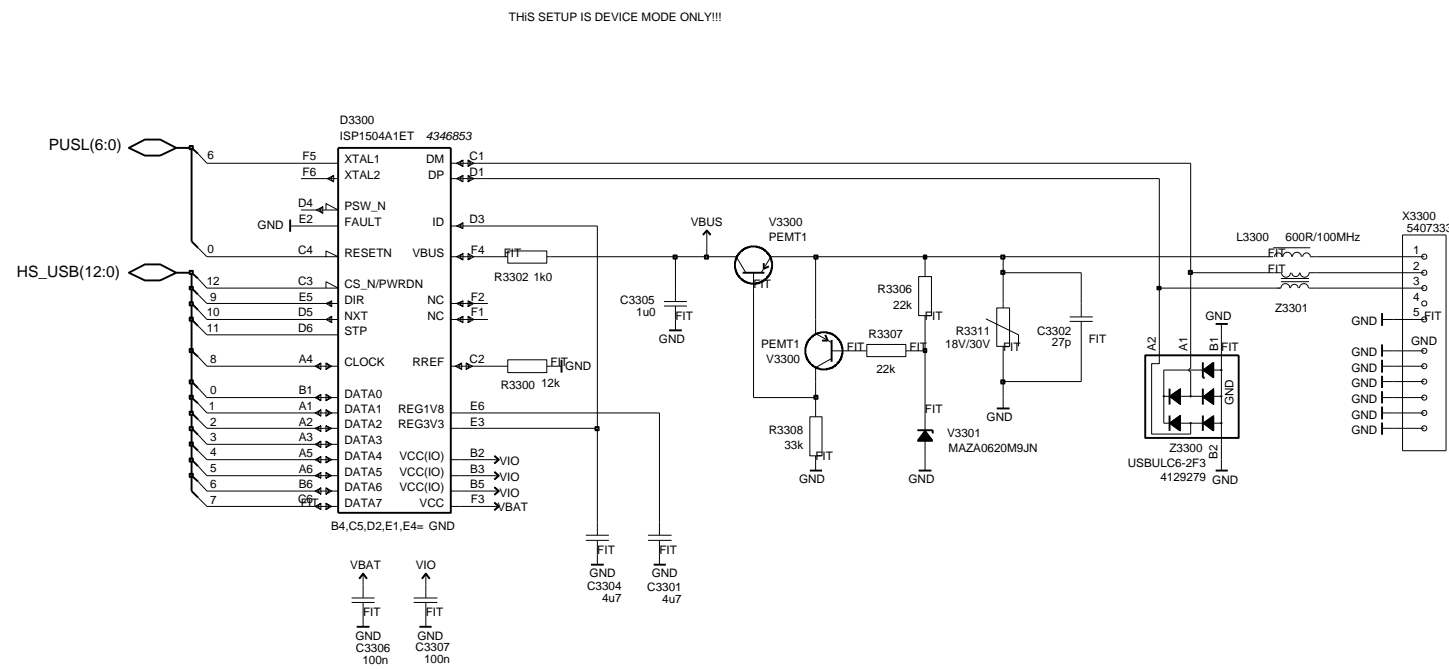
BLUETOOTH & FM RADIO MODULE
BTHFMRD S2.0



Copyright (C) Nokia Corporation. All rights reserved.
 THIS DRAWING IS PROTECTED BY COPYRIGHT AS AN UNPUBLISHED WORK.
 UNAUTHORIZED REPRODUCTION OF THIS DRAWING IS NOT PERMITTED.
 THIS DRAWING CONTAINS PROPRIETARY AND CONFIDENTIAL INFORMATION.
 This document is property of Nokia Corporation



Name	NCW	Appr	dd-mmm-yy
Assoc		Des.	13-May-05
		Dr.	17-Apr-08
File		Sheet	xx of yy
Proj		Print	Yes
		V.	0,0
		Edt	2

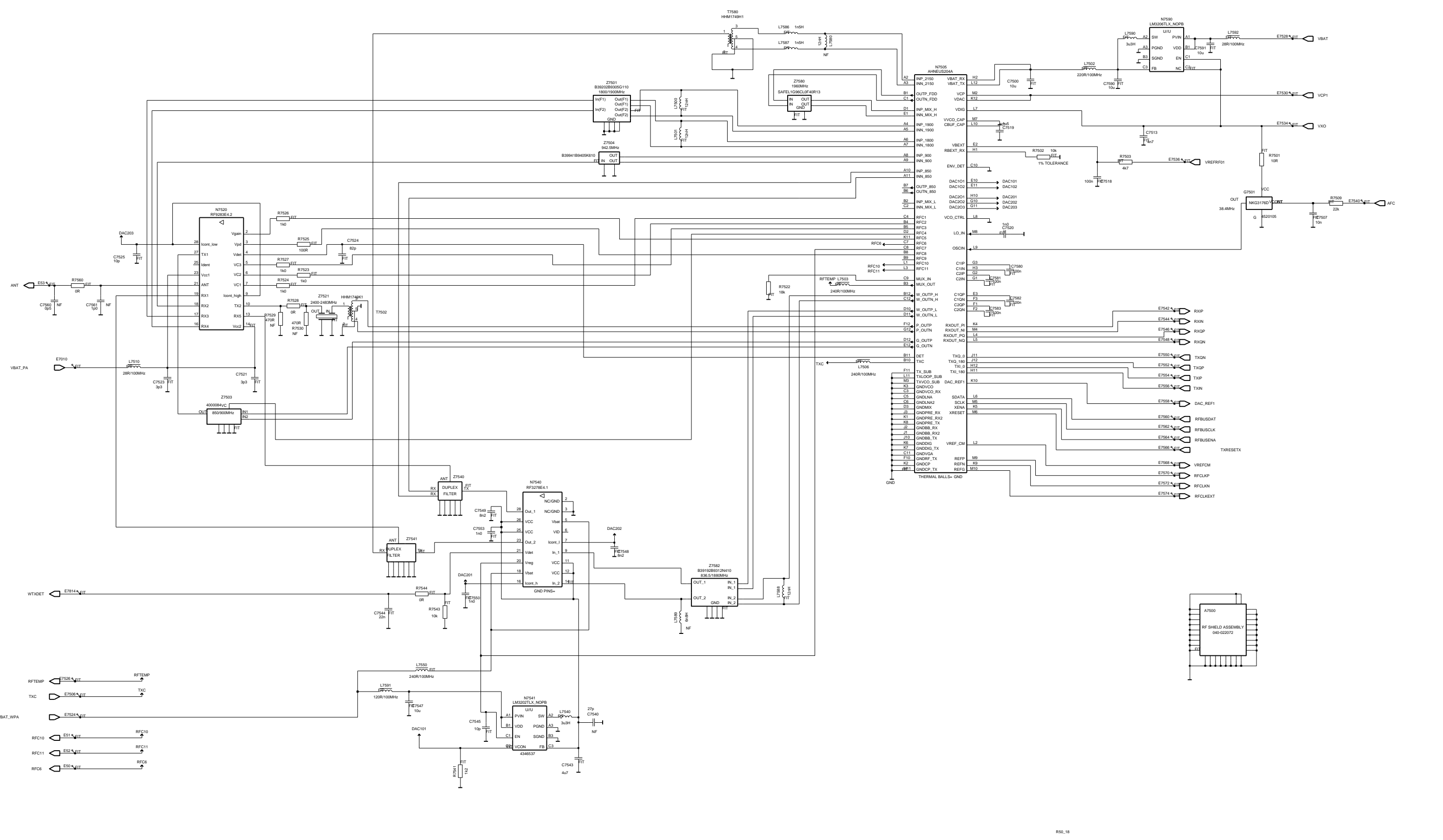


Place all parts close to or under SIM connector


Copyright (C) Nokia Corporation. All rights reserved.
 THIS DRAWING IS PROTECTED BY COPYRIGHT AS AN UNPUBLISHED WORK.
 UNAUTHORIZED REPRODUCTION OF THIS DRAWING IS NOT PERMITTED.
 THIS DRAWING CONTAINS PROPRIETARY AND CONFIDENTIAL INFORMATION.
 This document is property of Nokia Corporation

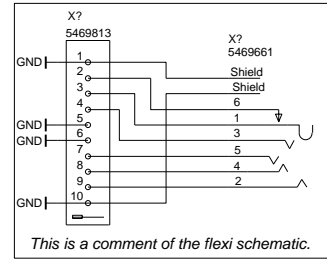
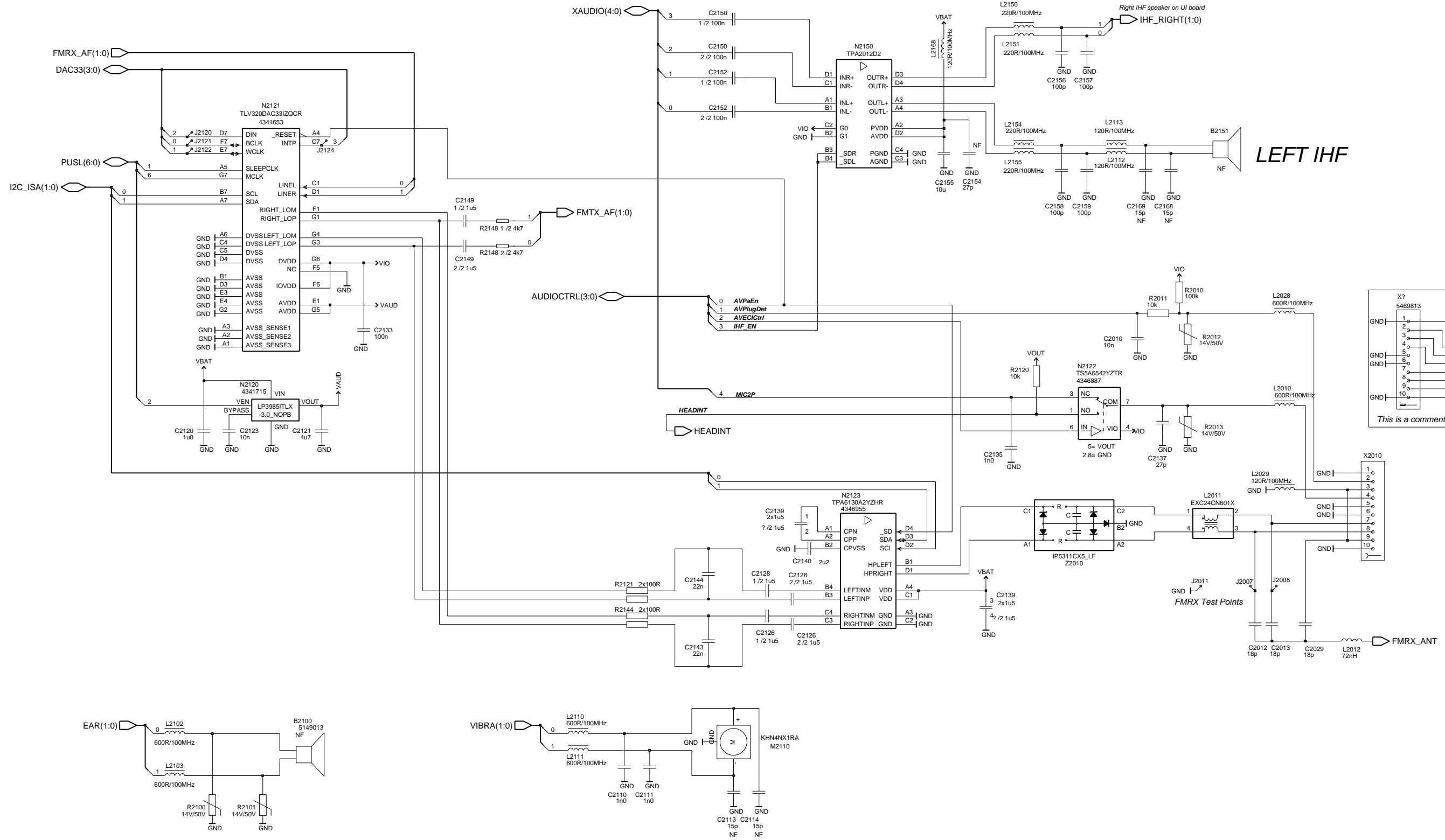


Name	SD_SIM_USB	Appr	10-Aug-00
Assoc		Des.	10-May-04
File		Dr.	17-Apr-08
Proj		Sheet	xx of yy
		Print	Yes v. Edit
			1 (01)
			2



R50_18

Copyright (C) Nokia Corporation. All rights reserved. THIS DRAWING IS PROTECTED BY COPYRIGHT AS AN UNPUBLISHED WORK. UNAUTHORIZED REPRODUCTION OF THIS DRAWING IS NOT PERMITTED. THIS DRAWING CONTAINS PROPRIETARY AND CONFIDENTIAL INFORMATION. This document is property of Nokia Corporation			Name	r50_engine	Appr	dd-mmm-yy
			Assoc		Des	22-Jun-05
		File		Ch	17-Apr-08	
		Proj		Sheet	xx of yy	0 (01)
				Print	Yes	Edt
				V.	0.0	



Copyright (C) Nokia Corporation. All rights reserved.
 THIS DRAWING IS PROTECTED BY COPYRIGHT AS AN UNPUBLISHED WORK.
 UNAUTHORIZED REPRODUCTION OF THIS DRAWING IS NOT PERMITTED.
 THIS DRAWING CONTAINS PROPRIETARY AND CONFIDENTIAL INFORMATION.
 This document is property of Nokia Corporation



Name	AUDIO	Appr	dd-mmm-yy
Assoc		Des.	27-May-03
File		Dr.	17-Apr-08
Proj		Sheet	30 of yy
		Print	Yes
		V.	0,0
		Edit	2

20

19

18

17

16

15

14

13

12

11

10

9

8

7

6

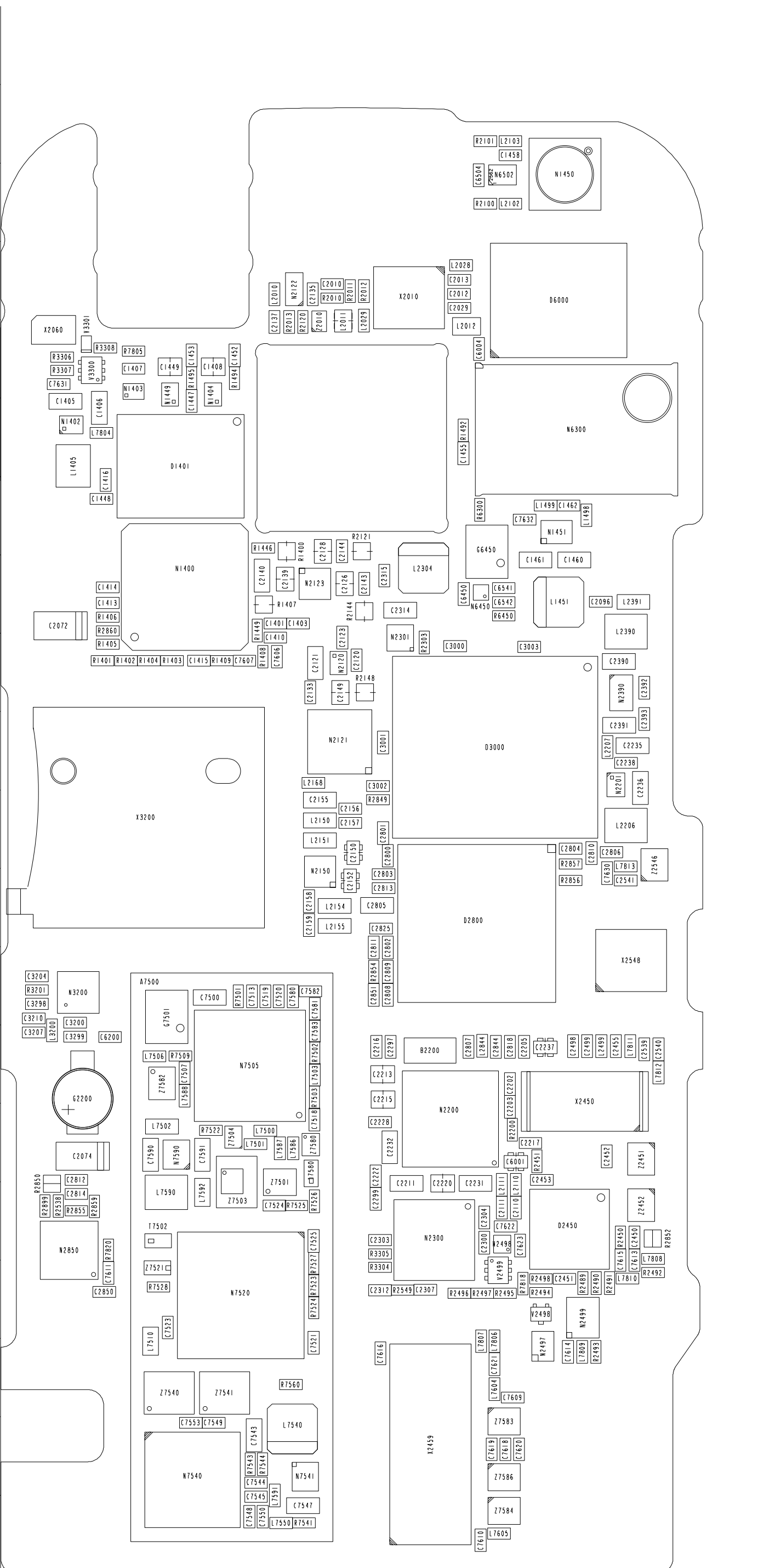
5

4

3

2

1



A	B	C	D	E	F	G	H	I	J
---	---	---	---	---	---	---	---	---	---

